

# AC 107 EcoX

## Self Contained Ice Machine 53 kg

Item #:

Project:

Quantity:



### FEATURES

- Produces individual Gourmet crystal clear ice cubes.
- Resistant stainless steel exterior.
- Advanced diagnostics computerized controls.
- Front panel in and out airflow (air-cooled model only) for built-in installation.
- Routine maintenance visible alarm light on front panel.
- Ergonomically designed ice-storage access, with disappearing door. Door-closing movement dampening system.
- Water system protected by patented anti-scale system.



AC M 107  
Medium Gourmet 20 g  
Ø 30 x H 34 mm

### CONDENSING SYSTEM

Air cooled

### REFRIGERANT GAS

R290

### VOLTAGE V/Hz/ph

230/50/1

### INTERNAL BIN CAPACITY

23 kg

### CERTIFICATIONS



### OPERATING REQUIREMENTS

	Minimum	Maximum
Air temperature	10	43
Water temperature	5	38
Water pressure	1 bar (14 psi)	5 bar (70 psi)
Electrical voltage	-10%	+10%

**IMPORTANT NOTICE:**  
Models and specifications are subject to change without notice.  
This spec sheet is meant for commercial purpose only.  
For technical documentation please refer to our service manuals.

[www.scotsman-ice.it](http://www.scotsman-ice.it)  
[www.scotsman-ice.com](http://www.scotsman-ice.com)

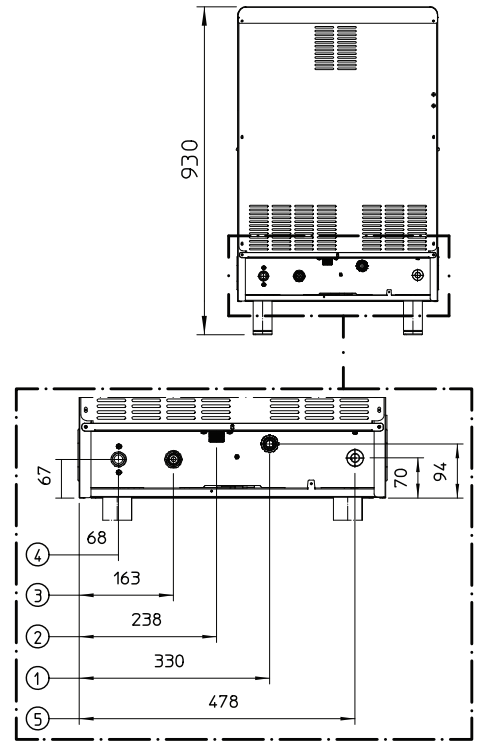
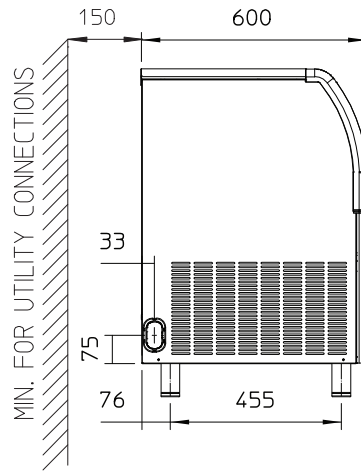
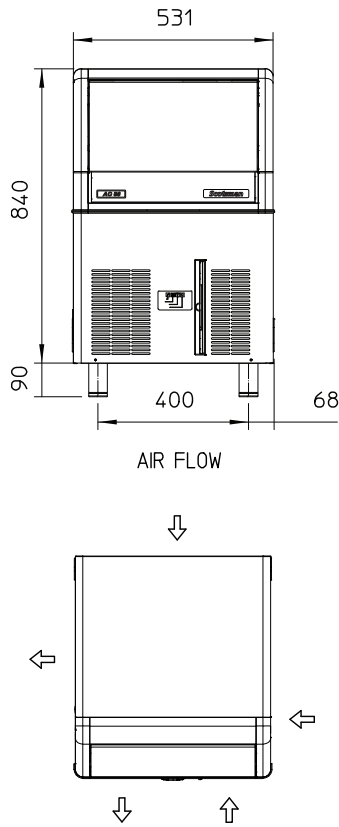
Self Contained Ice Machine 53 kg

# AC 107 EcoX

## Self Contained Ice Machine 53 kg

Item #:
Project:
Quantity:

Self Contained Ice Machine 53 kg



UNIT OF MEASUREMENT: mm

1. 25/32" OD - OVERFLOW DRAIN
2. 3/4" GAS - WATER INLET
3. 3/4" GAS - WATER OUTLET  
WATER COOLED UNIT ONLY
4. 3/4" GAS - WATER INLET  
WATER COOLED UNIT ONLY
5. CORD SET

UNIT DATA		SHIPPING DATA									
Size (W x D x H)	531 x 600 x 930 mm	Carton (W x D x H)	600 x 670 x 950 mm								
Net weight	47 kg	Weight	54 kg								
		24 h ice production kg °C Amb. / °C Water			Energy consumption (*)		Water usage (*)	Instant power	Compressor	Circuit wires	Max. fuse size
Version	Voltage	10°C/10°C	21°C/10°C	32°C/21°C	kWh/ 100 kg	kWh/ 24h	l/h	W	W	No. x Ømm <sup>2</sup>	A
ACM 107 AS	230/50/1	53	51	43	24.9	10.7	5.2	580	1215	3 x 1.5	10

(\*) Data refer to 32°C Amb. / 21°C Water temperature conditions