

ECOMAX H604 HOOD-TYPE DISHWASHER

The dishwasher for ergonomic and efficient work processes in the kitchen. Combined with tables, it is a powerful partner for the catering and hotel sector.

FEATURES

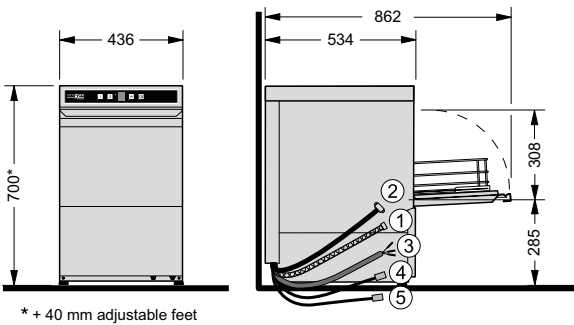
- The 4-sided closed hood keeps energy and humidity in the system and saves up to 3 kW energy
- Electronic control with digital temperature indication and 3 programmes for easy operation
- Deep-drawn wash tank for easy cleaning
- Rotating wash and rinse arms for an even water distribution
- Intended nozzles prevent blocking
- Incl. connection cable, supply and drain hose for immediate operation
- Thermostop function for guaranteed temperatures
- Self-cleaning programme for hygienic cleanliness also in the machine



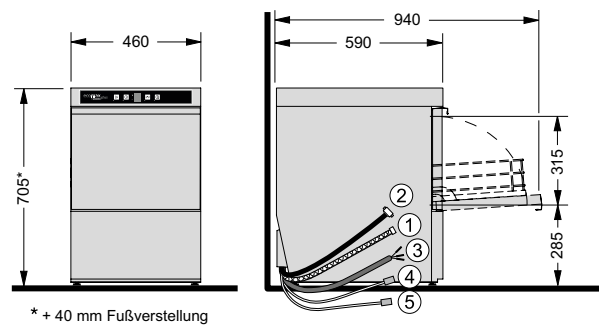
DRAWINGS



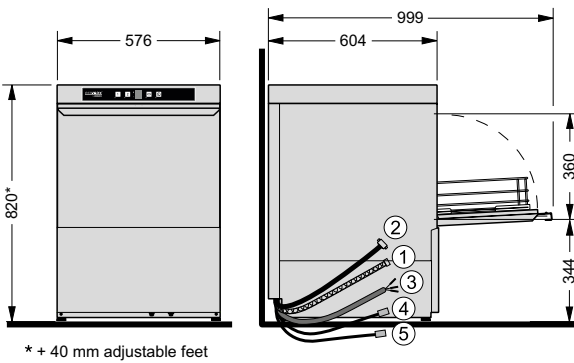
Glasswasher model **G404**



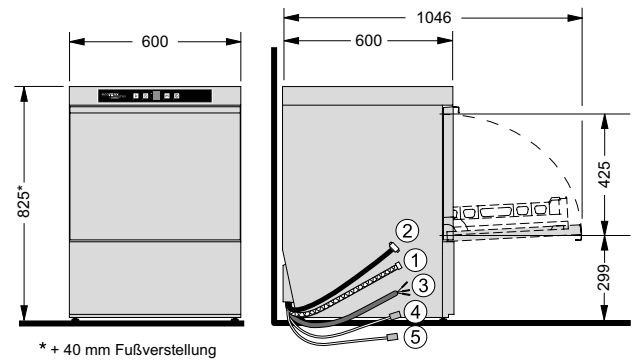
Glasswasher model **G415**



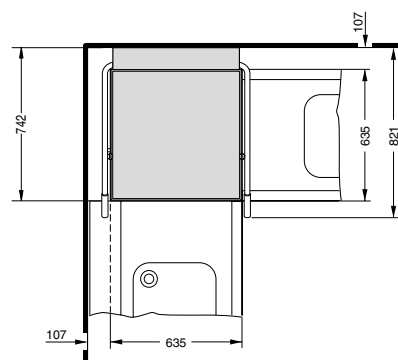
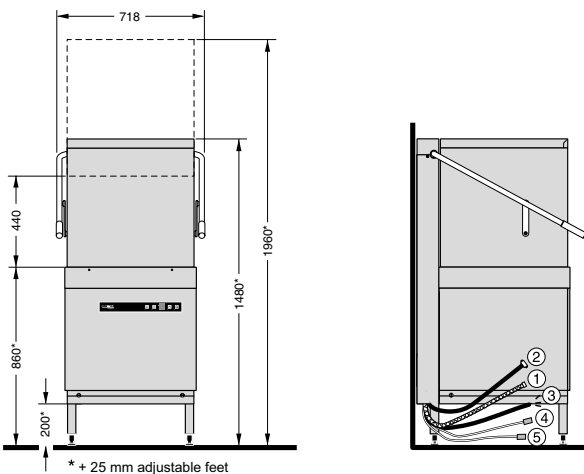
Undercounter dishwasher model **F504**



Undercounter dishwasher model **F515**



Hood-type dishwasher model **H604**



plus

- ① Drain hose
- ② Supply hose
- ③ Connection cable
- ④ Liquid detergent ^{a)}
- ⑤ Rinse aid ^{a)}

^{a)} for machines with external containers

FEATURES

| MODELS | GLASSWASHER | | | | | UNDERCOUNTER DISHWASHER | | | | | | HOOD-TYPE DISHWASHER | | |
|--|-------------|--------------|-------------|--------------|---------------------|-------------------------|--------------|-------------|--------------|---------------------|----------------------|----------------------|-------------|--------------|
| | G404 -10 | G404 S-10 | G404 -12 | G404 S-12 | plus G415 -11 | F504 -10 | F504 S-10 | F504 -12 | F504 S-12 | plus F515 -11 | plus F515 S-11 | H604 -10 | H604 -12 | H604 S-12 |
| Integrated water softener* | – | ● | – | ● | – | – | ● | – | ● | – | ● | – | – | ● |
| External water treatment system** | – | – | – | – | ○ | ○ | – | ○ | – | ○ | – | – | ○ | – |
| Double-walled housing | – | – | – | – | ● | – | – | – | – | ● | ● | – | – | – |
| Deep-drawn wash tank | – | – | – | – | ● | – | – | – | – | ● | ● | ● | ● | ● |
| Door damping control | – | – | – | – | ● | – | – | – | – | ● | ● | – | – | – |
| Tank strainer | – | – | – | – | ● | ● | ● | ● | ● | ● | ● | ● | ● | ● |
| Drain pump | ○ | ○ | ● | ● | ● | ○ | ○ | ● | ● | ● | ● | ○ | ● | ● |
| Rinse pressure pump*** | – | ● | – | ● | ● | ● | ● | ● | ● | ● | ● | – | ● | ● |
| Rinse aid dispenser | ● | ● | ● | ● | ● | ● | ● | ● | ● | ● | ● | ● | ● | ● |
| Detergent dispenser | ○ | ○ | ● | ● | ● | ○ | ○ | ● | ● | ● | ● | ○ | ● | ● |
| HOBART tabling programme | – | – | – | – | – | – | – | – | – | – | – | ○ | ○ | ○ |
| Base cabinet (435 mm high) with removable door | – | – | – | – | ○ | ○ | ○ | ○ | ○ | ○ | ○ | – | – | – |
| Glass rack (4 sloped rows) | ● | ● | ● | ● | ● | – | – | – | – | – | – | – | – | – |
| Glass rack (flat) | – | – | – | – | ● | – | – | – | – | – | – | – | – | – |
| Plate rack P-18-12 | – | – | – | – | – | ● | ● | ● | ● | ● | ● | ● | ● | ● |
| Cutlery box CB1 | ● | ● | ● | ● | – | ● | ● | ● | ● | – | – | ● | ● | ● |
| Cutlery rack with 4 boxes CB4 | – | – | – | – | – | – | – | – | – | ● | ● | – | – | – |
| Universal flat rack B-00-07 | – | – | – | – | – | – | – | – | – | ● | ● | – | – | – |

* For machine protection the water hardness should not exceed 3°dH, if higher we recommend using an integrated water softener or an external water treatment system.

** For use of an external water treatment system, an integrated rinse pressure pump is necessary.

*** Necessary flow pressure without rinse pressure pump: 2 - 6 bar. Flow pressure with integrated rinse pressure pump: 0.8 - 6 bar.

● Inclusive ○ Optional

TECHNICAL SPECIFICATIONS

made in germany

| MODELS | ecomax [™] by HOBART | | | ecomax [™] plus by HOBART | |
|-----------------------------|----------------------------------|---------------------------------|---------------------|---------------------------------------|---------------------------------|
| | G404 | F504 | H604 | G415 | F515 |
| Cycle times* | 60 / 120 sec. | 60 / 150 sec. | 75 / 150 / 180 sec. | 60 / 120 / 180 sec. | 60 / 120 / 180 sec. |
| Rack capacity | 60 /h | 60 /h | 48 /h | 60 /h | 60 /h |
| Tank capacity | 10 l | 25 l | 21 l | 8 l | 10.6 l |
| Water consumption | 2.0 l/rack | 2.3 l/rack | 2.3 l/rack | 2.0 l/rack | 2.3 l/rack |
| Wash pump | 0.18 kW | 0.34 kW | 0.4 kW | 0.4 kW | 0.5 kW |
| Tank heating | 1.8 kW | 1.8 kW | 2.5 kW | 0.8 kW | 0.8 kW |
| BOOSTER LOADING | | | | | |
| Standard | 1.9 kW (230 V) | 5.6 kW (400 V) | 6.2 kW (400 V) | 2.8 kW (230 V) | 6.2 kW (400 V) |
| Alternative | 5.6 kW (400 V) | 1.9 kW (230 V) | – | 4.2 kW (400 V) | 2.1 kW (230 V) |
| TOTAL CONNECTED LOAD | | | | | |
| Standard | 2.1 kW (230 V) | 5.9 kW (400 V) | 6.6 kW (400 V) | 3.2 kW (230 V) | 7.5 kW (400 V) |
| Alternative | 5.8 kW (400 V) | 2.2 kW (230 V) | – | 5.4 kW (400 V) | 3.4 kW (230 V) |
| Rated voltage | 230 / 50 / 1 (400 / 50 / 3N) | 400 / 50 / 3N (230 / 50 / 1) | 400 / 50 / 3N – | 230 / 50 / 1 (400 / 50 / 3N) | 400 / 50 / 3N (230 / 50 / 1) |
| Width | 436 mm | 576 mm | 635 mm | 460 mm | 600 mm |
| Depth | 534 mm | 604 mm | 742 mm | 590 mm | 600 mm |
| Height | 700 mm | 820 mm | 1.480 (1.960) mm | 705 mm | 825 mm |
| Loading height | 308 mm | 360 mm | 440 mm | 315 mm | 425 mm |
| Rack size | 390 x 390 mm | 500 x 500 mm | 500 x 500 mm | 400 x 400 mm | 500 x 500 mm |

* The machine is equipped with an automatic cycle-time control which ensures hygienic rinse temperatures even on a cold-water supply or with reduced heating performance.