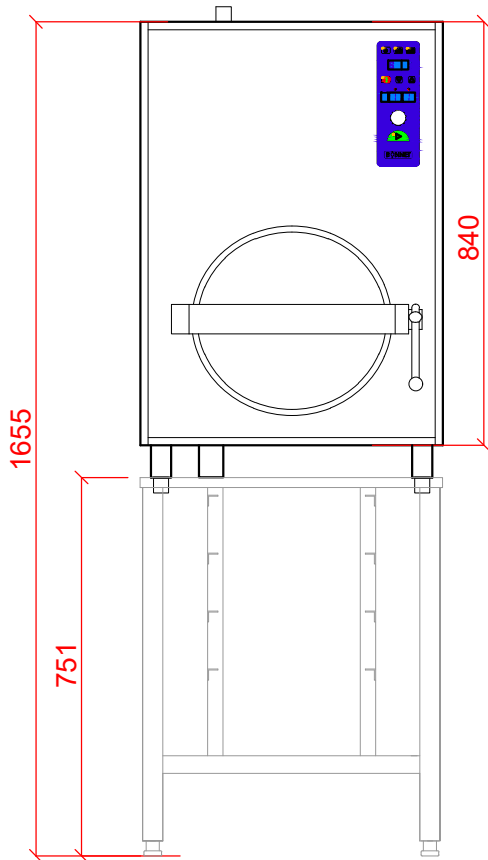
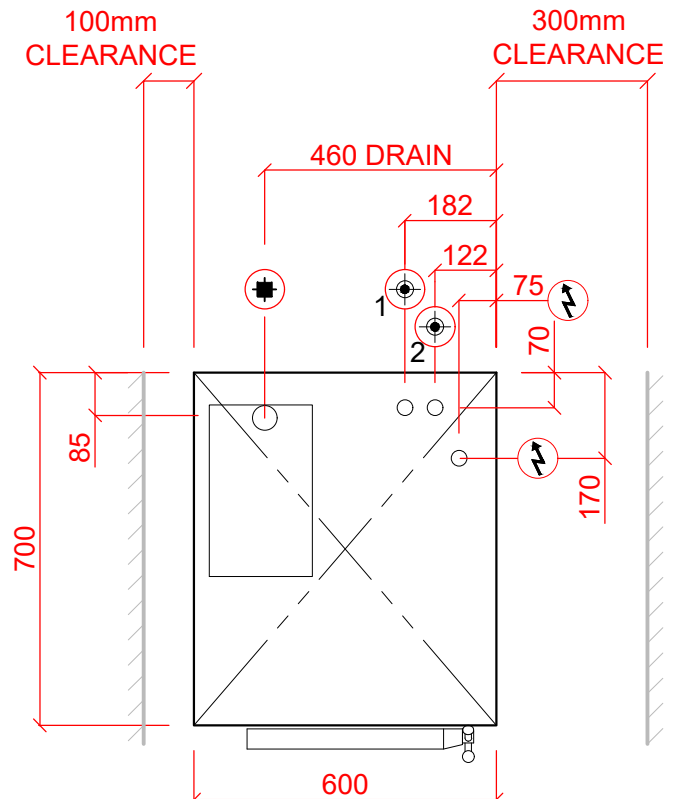


Pressure Steamer

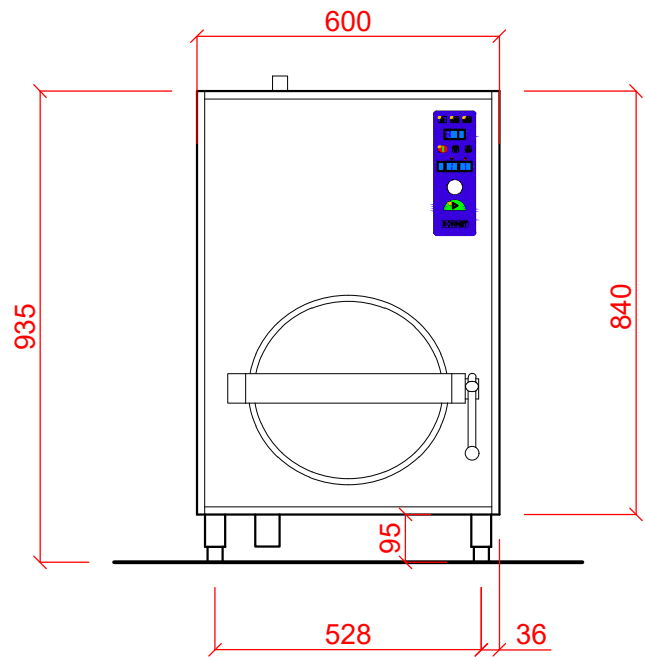
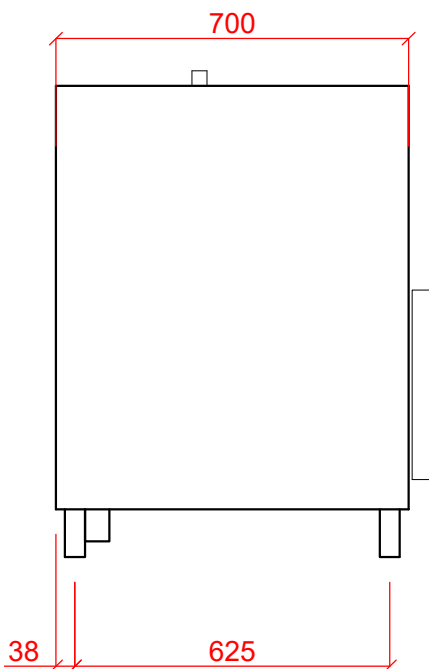
305GB-10



WITH OPTIONAL STAND



PLAN VIEW SHOWING SERVICE LOCATIONS AND RECOMENDED CLEARANCES



SPECIAL NOTE:

RECOMMENDED TO BE USED WITH A WATER TREATMENT SYSTEM.

COOKING PRESSURE - 0, 0.5 and 1.0 Bar

THERMAL RADIATION - APPROXIMATELY 1.5 kW AT DOOR, BUT REMAINDER NEGLIGIBLE AS MACHINE HAS INSULATED PANELS.

Device Number	Description	Electric	Notes
305GB-10	Pressure Steamer Single Chamber to suit GN 1/1	400/50/3 + N + E 27.0kW (switchable to 18kW) Fuse at 50A/phase(32A/phase)	ELECTRICAL CONNECTION DRAIN 1" BSP 1 SOFT WATER INLET 3/4" BSP 2 WATER INLET 3/4" BSP WATER CONDENSE BOX 3/4" BSP

NOTE:
Water Inlet Pressure min 1.7bar max 10bar
Water supply is via internal WRAS approved valve.

EST WEIGHT 88Kgs
ALL SERVICES ENTER FROM BELOW UNIT

PLOT SCALE: 1:15 @ A4